

Description

SMA connectors are precision connectors for microwave applications up to 18 GHz. The extended frequency version operates with excellent return loss performances up to 26.5 GHz. There is a huge variety of applications for SMA connectors, as in telecom, test & measurement, instruments, avionics, etc.

Typical Specification

| | |
|----------------|---------------|
| Connector Type | SMA |
| Interface | Female (Jack) |
| Geometry | Straight |
| Panel Mount | 2 Hole |

Model No: VSW-CN-SAF-2P-14T



Electrical Specification

| | |
|------------------------------|--------------------|
| Impedance | 50Ω |
| Frequency Range | DC to 18GHz |
| Dielectric Withstand Voltage | 1000 V rms @ 50 Hz |
| Working Voltage | 750 V rms @ 50 Hz |
| Insulation Resistance | ≥ 5000 MΩ |
| Inner Contact Resistance | ≤ 2 mΩ |
| Outer Contact Resistance | ≤ 2 mΩ |
| RF leakage (at 2-3GHz) | ≥ 90 dB |

VSWR

| | |
|---------------|--------|
| 0.8 - 1.0 GHz | ≤ 1.04 |
| 1.7 - 2.0 GHz | ≤ 1.08 |
| 2.0 - 3.0 GHz | ≤ 1.15 |

Mechanical Specification

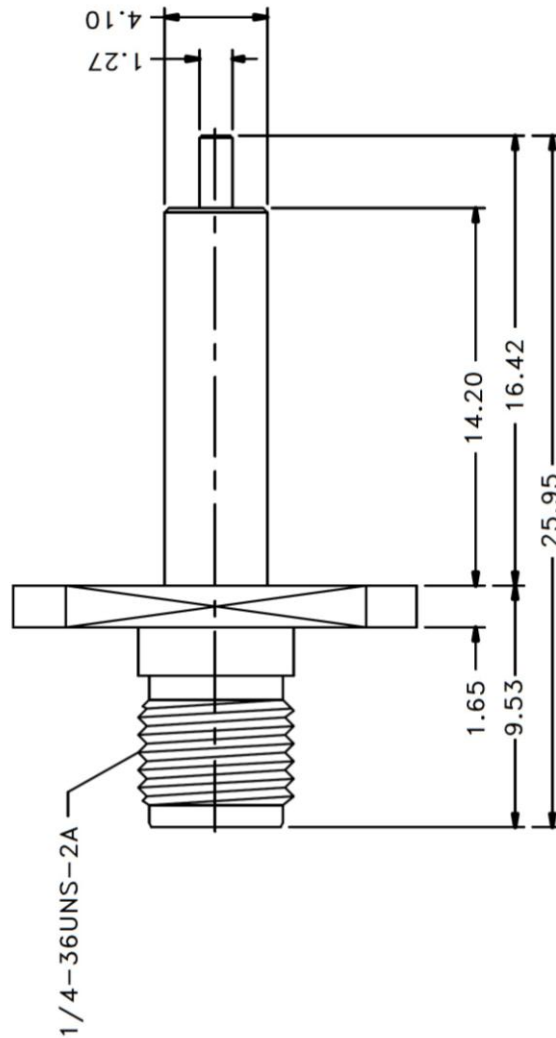
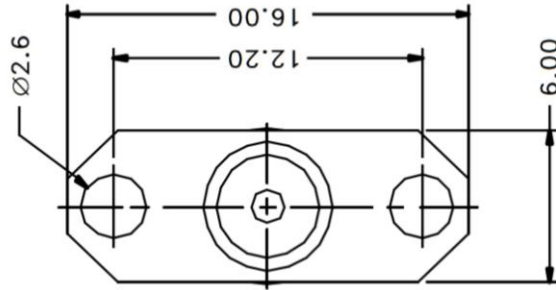
| | |
|----------------------|--------|
| Coupling Nut Torque | 0.8 Nm |
| Contact Captivation | ≥ 27 N |
| Durability (Matings) | ≤ 500 |

Environmental Specification

| | |
|-------------------|------------------|
| Temperature Range | - 65°C to +165°C |
| Corrosion | As per MIL. STD. |
| Vibration | As per MIL. STD. |

Material Specification

| Connector Parts | Material | Plating |
|-----------------|----------|---------|
| Bodies | Brass | Gold |
| Pin contacts | Brass | Gold |
| Insulators | PTFE | |



VINSURWAVES